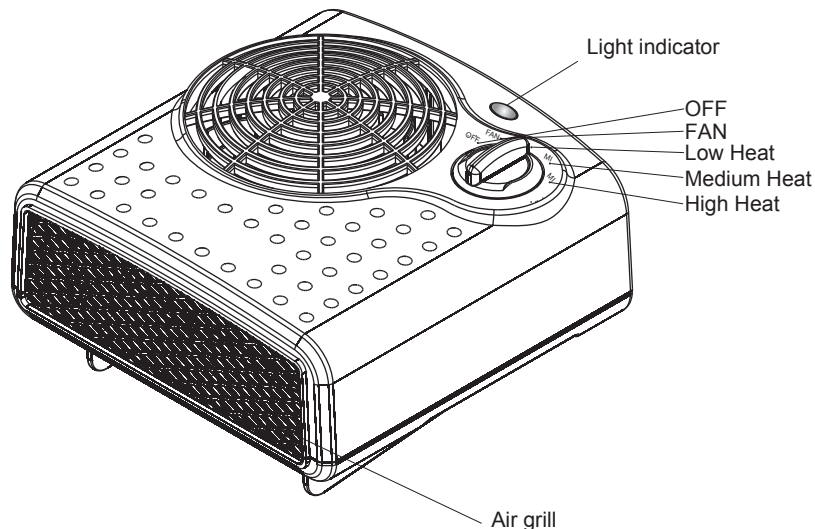


Disclaimer:

Before operating equipment, please read all instructions in this manual. Failure to use this device properly may cause serious damage to the product or vehicle. PNP system Inc. is not responsible for any damages or injuries that result from misuse.

Caution: Be sure the battery is fully charged or start the engine before use. **Using this product with low or partially charged battery may reduce battery reserves and cause difficulty in starting the vehicle.**



Specification:

Model	:	PowerHunt Heater PNP-201
Voltage & Rating	:	12Volt DC, 50Amp/Up to 700Watts
Dimension	:	213 x 211 x 117mm(8.4x8.3x4.6 inches)
Weight	:	1.15kg(2.5 lbs)

Function:

The Power Hunt 12 Volt Heater is designed to provide an efficient heat source for vehicles, boats and any space where access to a 12 volt power source is available. The Power Hunt heater is ideal for staying warm when a vehicles engine is shut down allowing reduced fuel consumption and output of harmful emissions. The heater can also be used for defrosting windshields and many other applications.

Operation Procedure:

1. Place the heater on a dry nonflammable surface, if used in a moving vehicle make sure the heater is secure and will not move about the vehicle cabin.
2. Ensure the Power Hunt Power Strip is turned off prior to plugging in the heater.
3. Plug the heater into the Power Hunt Power Strip and turn the power on for the corresponding socket.
4. Turn the heater thermostat selector switch to the desired heat level or FAN if a no heat is desired.
5. When finished using heater turn the thermostat selector switch counterclockwise to the OFF position.

Caution:

1. DO NOT use heater in a moving vehicle or boat unless it is securely fastened.
2. DO NOT immerse the heater in water or other liquids.
3. DO NOT expose heater to moisture.
4. DO NOT touch hot surfaces or the Air Grill when in use.
5. DO NOT block intake or exit openings of the heater.
6. DO NOT cover the heater when in use.
7. Keep the heater away from curtains or other flammable materials when in use.
8. Always turn OFF the Power Hunt Power Strip when the heater is not in use. DO NOT unplug the heater from the power strip when the heater or power strip are turned on.
9. The Power Hunt Power Strip uses a patented design that prevents polarity reverse conditions. Heater can only be used with Power Hunt Power Strip Models: PNP-100A, PNP-101 and PNP-102. Do not modify heater for use with any other socket type or power source.
10. When using heater in a vehicle with the engine turned off, take care to monitor your batteries condition to ensure the vehicle can be safely restarted. Power Hunt offers an optional battery monitor PNP-190 that will provide audible and visual alerts if your batteries condition becomes critical.

Maintenance:

1. Turn off, disconnect and allow heater to cool before cleaning. Clean with a damp cloth and avoid corrosive detergents.
2. If heater fails to operate upon receipt or the case has been damaged during shipping, please return to your authorized dealer for replacement.

One Year Limited Warranty:

PowerHunt products are guaranteed to be free from defects in materials and workmanship under normal use for a period of ONE year from the date of purchase.

This warranty does not cover damage or malfunction caused by product deterioration or by accident, misuse, abuse or commercial use. Scratches, stains or damage from improper cleaning or maintenance are not covered by this warranty. Incidental or consequential damages are expressly excluded by this warranty.

Warranty claims are only valid when accompanied by the original sales receipt/invoice as proof of purchase. Please retain you receipt in a safe place.

IMPORTANT:

Please complete warranty registration through website www.power-hunt.com, failure to register this warranty within 30 days from the date of purchase will invalidate the warranty.

Warranty Return Policy:

If your Power Hunt product experiences a failure due to defects in material or workmanship during the course of the warranty period please contact Power Hunt Customer Service for return authorization.

Upon receipt of your request and validation of warranty, a Return Authorization (R/A) number will be issued along with any necessary additional information.

After receiving your R/A number please follow the shipping instructions below:

- Clearly mark the R/A number on the outside of the shipping box. PNP System Inc. will not accept or take responsibility for return packages that do not have a clearly marked R/A number on the outside of the box.
- Only ship products for which the R/A number was issued, PNP System Inc. will not accept responsibility in any way for unauthorized return products.
- Attach your original receipt of sale to a written description of the problem you are experiencing and include it in the return package.
- Ensure the product is properly packed to prevent damage during shipping. You are responsible for the product until it is received, PNP System Inc. will not be responsible and does not warrant against damage incurred during the return shipping process.
- Product must be shipped prepaid to PNP System Inc. within seven (7) days of issuance of R/A number. PNP System Inc. reserves the right to cancel without notice any R/A number for which the corresponding product has not been received with 21 days of issuance.
- Shipments received without a proper or valid R/A number will be refused.

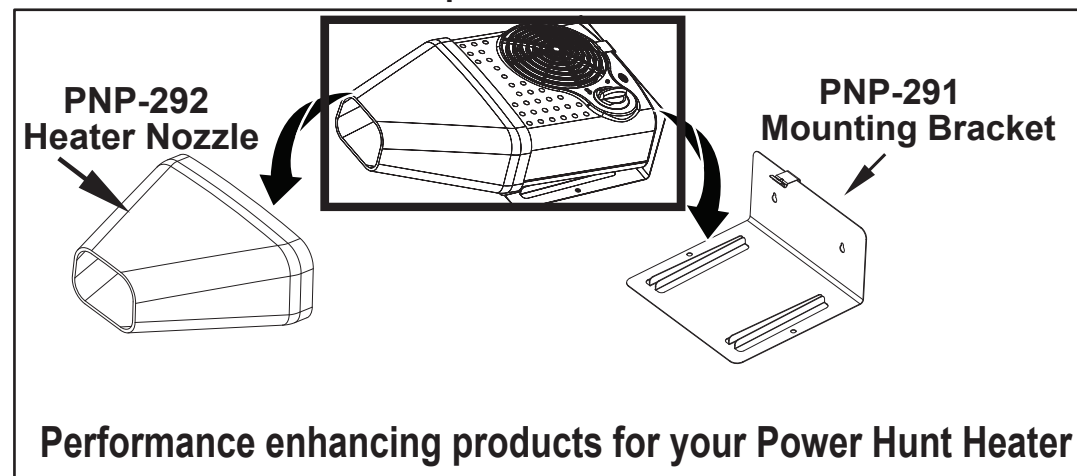
In North America:

PNP System Inc.
18280 SW 108th Ave.
Tualatin, OR 97062
Tel 503 218 5189
Fax 503 218 5199
Toll Free 1-888 222 9710

Outside of North America:

PNP (HK) Ltd
Room 603, 6 Floor, Futura Plaza,
111-113 How Ming Street,
Kwun Tong, KLN, Hong Kong
Tel: +852-2947-7686
Fax: +852-2947-7169

Register your Product Warranty Online at
www.power-hunt.com



Performance enhancing products for your Power Hunt Heater

正面

PNP-201说明书
USG-PNP201-PA0041110
80G书写纸双面1色印刷
规格: 148mmx262mm

反面